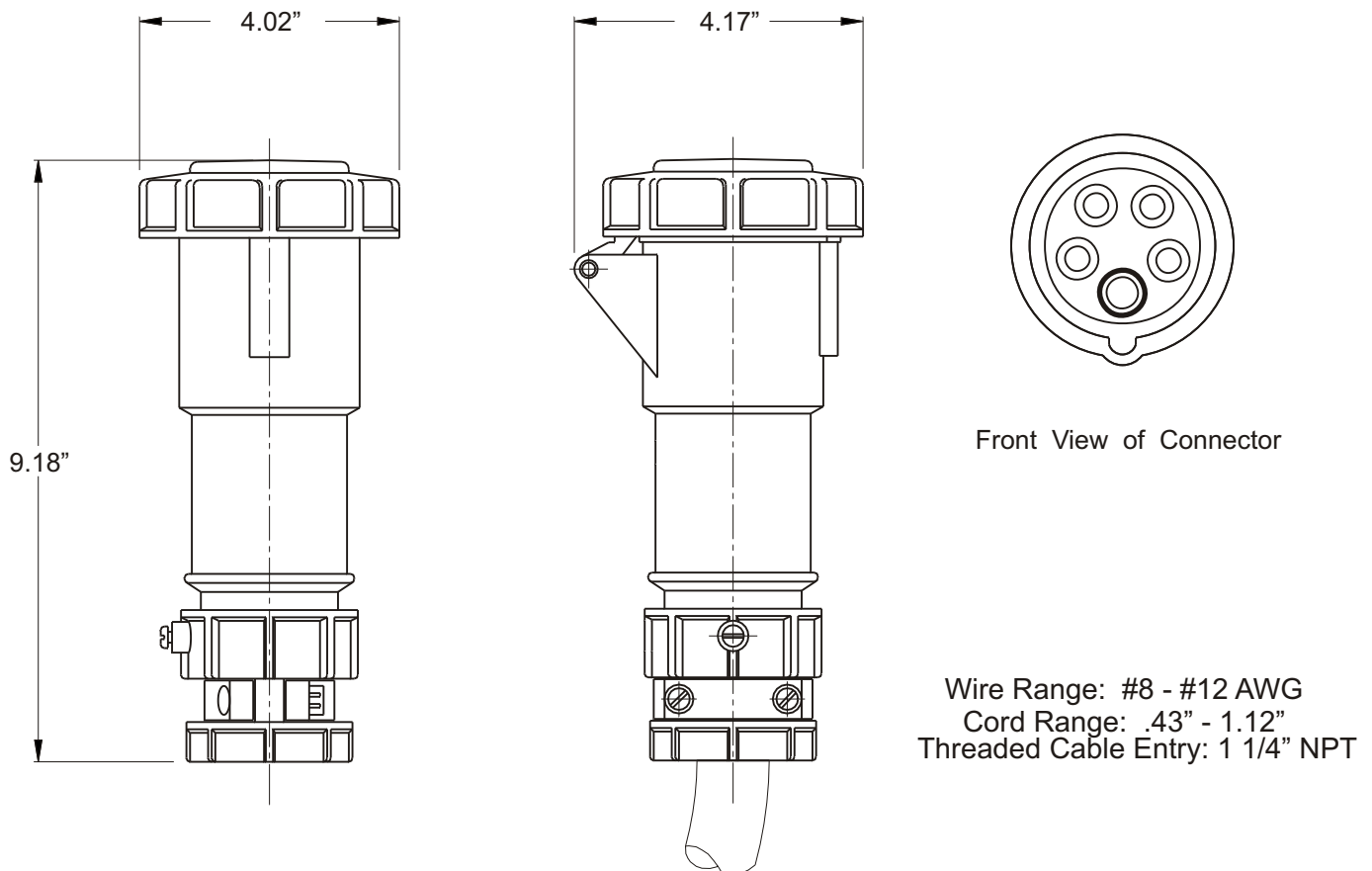


CONNECTOR, IN-LINE

Part No.	ME 530C6W-60843
Description:	30 Amp 3P+N+G 200/380V - 240/415Vac, 5 Wire
Construction:	Watertight Connector - IEC IP 67
Approvals:	cULus Listed 1682; 1686; IEC 60309-1; IEC 60309-2; VDE

IEC COLOR CODE: Red

GROUND SOCKET: 6 Hour Position Mates with Male in 6 Hour Position.



Drawing Not to Scale